

# PARTS DEPARTMENT BULLETIN

**DATE:** 12-Mar-04

**BULLETIN NUMBER:** 2004-3 Revised 3/28/14

**SUBJECT:** 12V 50A Alternator 30594 is no longer in production: Supersede with kit 49246 or 49249.  
This revision is to clarify which kit to use based on engine or generator model.

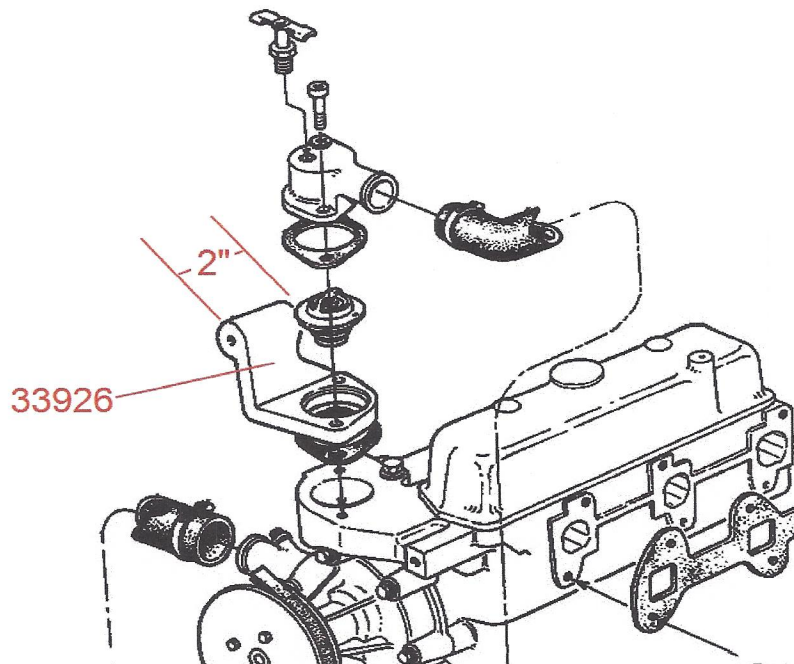
**DETAIL:** 50A Alternator PN 49125 is intended for use as a replacement for 30594. It is included in retrofit kits part number 49264 and 49249. Appropriate spacers or mounting brackets are also included in these kits.

Use kit 49246 for: All WMD, 7.6 BTD and 5.7 BTD generators, 20B Two, 30B Three, W13, W18, W21, W27, W33, RD60, RD80 engines. This kit includes spacer 49320, which is approximately .538" long.

Use kit 49249 for: All other BTD generators and W13A, W21A, W27A, W33A engines that use alternator mounting bracket 33926, illustrated below. This kit includes alternative mounting bracket 49248 and two gaskets 34196.

For future reference and to avoid confusion, alternator 49125 has a internal cooling fan.  
Alternator part number 30594 has an external cooling fan.

## 33926 Alternator Mount Bracket



WESTERBEKE CORPORATION

Myles Standish Industrial Park, 150 John Hancock Road, Taunton, MA 02780-7319 • Tel: 508.823.7677 • Fax: 508.884.9688

[www.westerbeke.com](http://www.westerbeke.com)

# PARTS DEPARTMENT BULLETIN

DATE. 12 MARCH 2004 BULLETIN NUMBER: 2004-3  
TO: ALL MASTER DISTRIBUTORS AND WESTERBEKE/UNIVERSAL DEALERS  
SUBJECT: DC ALTERNATOR #030594 (12VDC-50 AMPS) **NO LONGER IN PRODUCTION**

THE PRODUCTION OF THE 50 AMP-12 VDC ALTERNATOR #030594 HAS STOPPED.

50 AMP-12VDC ALTERNATOR #049125 WILL BE USED IN ITS PLACE.

ON CURRENT PRODUCTION MODELS USING THE #030594 AND SPACER #037343. THIS SPACER WILL BE SHORTENED IN LENGTH TO MATE WITH THE NARROWER MOUNTING FEET OF THE REPLACEMENT ALTERNATOR #049125.

THE DC ALTERNATOR #030594 USE BEGAN IN 1980. A VARIETY OF ENGINE MODELS BOTH GENERATOR AND PROPULSION HAVE USED THIS DC ALTERNATOR AS THE STANDARD CHARGING ALTERNATOR.

WHEN REPLACING WITH THE NEW #049125 ALTERNATOR. THE ORIGINAL SPACER USED WILL NEED TO BE SHORTED TO MATE PROPERLY WITH THE NARROWER MOUNTING FEET OF THIS NEW ALTERNATOR.

MASTER DISTRIBUTOR – PLEASE PASS A COPY OF THIS PARTS BULLETIN TO ALL OF YOUR SERVICING DEALERS.

